

elite Series



AVA LED

CR-IR 2" P2,6"

Data Sheet

QUALITY IN DETAIL

INDOOR SERIES

CR-IR 2 PRO" P2,6" | CR-IR 2 PLUS" P2,6"



02-03	○ Series and Features
04-05	○ Product Details
06-07	○ Size - Product Photo
08-09	○ Cabinet Detail - Safety
10-11	○ Installation Guides
12-13	○ Accessories - Company Info

- Advanced High Brightness Black technology,
- Advanced High Refresh Rate,
- Fast installation of panel to Light Frame,
- Just Signal person to install/uninstall, saving labor cost
- Die-Casting Aluminum frame design,
No noise, lower power consumption, good heat dissipation.
- Low Weight and Ultra thin Cabinet

elite Series



CR-IR 2 PRO "P2,6"

- High Refresh Rate: 3840Hz
- A Class Led Chip
- High Quality PCB
- High Quality MASK

CR-IR 2 PLUS "P2,6"

- High end Refresh Rate: 3840Hz
- A Class Led Chip
- Best Quality PCB
- Best Quality MASK
- High end Refresh Rate
- 14 - 18 Bit
- Clear View
- Free Rotation
- HDR
- 4K Refresh Rate



Features

- *** FRONT SERVICE
- *** Light Weight
- *** Aliminum Die-Casting
- *** 500x500 : 12 in 1 Case weight with products: 118kg.
- *** Advenced and safety Lock
- *** Nova Star Controller
- *** SPACE BLACK
- *** Flat or Curver Series "optional"

○ TECHNICAL SPECIFICATION

MODEL NAME	CR-IR 2 PLUS "P2,6"	CR-IR 2 PRO "P2,97"
Features	:	:
Series	Plus	Pro
Panel installation type	Rental	Rental
Operating Environment	Indoor	Indoor
Pixel Pitch	2,6mm	2,97mm
Brightness	>1000 Nits	>1000 Nits
Refresh Rate	>3840Hz	>3840Hz
Weight / m2	<28	<28
Material Brands		
Lamp	Class A	Class A
Entegred	Chipone or Smilar	Chipone or Smilar
Powersupply	Meanwell or Smilar	Meanwell or Smilar
Controller	Novastar	Novastar
Connectors : Seetronic	Seetronic	Seetronic
Module Specifications	:	:
Pixel Configuration	SMD 1515	SMD 1515
LED Chip	Cooper	Cooper
LED	Space Black	Space Black
Module Size (mm)	250mm x 250mm	250mm x 250mm
Module Resolution	96 x 96	84 x 84
Processing	>14-18 Bit	>14-16 Bit
PCB Quality	Best Quality	Best Quality
Module - Mask Quality	Normal Mask	Normal Mask
Picture / Video Quality	Best Quality	High Quality
Grey Scale	>262144	>65536
Cabinet Specifications	:	:
Module Per Cabinet	4 MODULE	4 MODULE
Cabinet Size (mm)	500 x 500 x 85	500 x 500 x 85
Cabinet Material	Die-Casting Aliminum	Die-Casting Aliminum
Weight Per Panel Net kg.	7	7
Cabinet Resolution	192x192	168x168
Pixel Density / Cabinet	36864	28224
IP Rating	IP40	IP40
Others Specifications	:	:
Driving IC Type	PWM	PWM
Refrate Quality 2	Highend Refresh Rate	High Refresh Rate
No Waterless Ripple of Camera	>%90	>%75
Driving Method " Scan "	1/26	1/28
Resolution/SQM	384 x 384	336 x 336
Pixel Density / m2	147456	112896
White Color Calibration (Adj.)	3,500K~8,500K	3,500K~8,500K
Horizontal Viewing Angle	140 (±30)	140 (±30)
Vertical Viewing Angle	140 (±30)	140 (±30)
Low Latency	Yes	No
HDR	Yes	No
Mapping	Yes	Yes
Rotation per 90 Degree	Yes	Yes
Free Rotation (with R5)	Yes	Optional
Clear View	Yes	Optional
Refresh Quality	Best Quality	High Quality
High Refresh (PLL inside)	Yes	-
High Refresh Power Saving	Yes	Yes
High Refresh Dynamic Power Saving	Yes	-
Expected LED Lifetime %50	>100.000 Hours	>100.000 Hours
Operating Temperature Range	-15 - +45 (±10)	-15 - +45 (±10)
Operating Humidity Range	-40! " +60! ,10%-90%RH	-40! " +60! ,10%-90%RH
Power on Time (<w/sqm)	800	800
Power Consumption (<w/sqm)	540	520
Average Power Consumption (<w/sqm)	189	182
Voltage Range	47 ~ 63Hz / 110 ~ 240 VAC	47 ~ 63Hz / 110 ~ 240 VAC
Version	REV21	REV21
Packing include	Plate-Power-Cat5 Cable	Plate-Power-Cat5 Cable
Usage Area	Rental Screen	Rental Screen
Certificate	CE/EMC/LVD-ATR-EUR1 ISO-9001:2015 ISO-14001:2015	CE/EMC/LVD-ATR-EUR1 ISO-9001:2015 ISO-14001:2015

elite Series



PRODUCT CABINET SIZE

size : 500mm



size : 500mm

size : 70mm



QUALITY IN DETAIL

CABINET SIZE

elite

Series



PRODUCT PHOTO



QUALITY IN DETAIL

elite

Series

08

CABINET DETAIL

Handle

Square Protect In/Out



Power In/Out

Signal In/Out

Lock

Module Lock

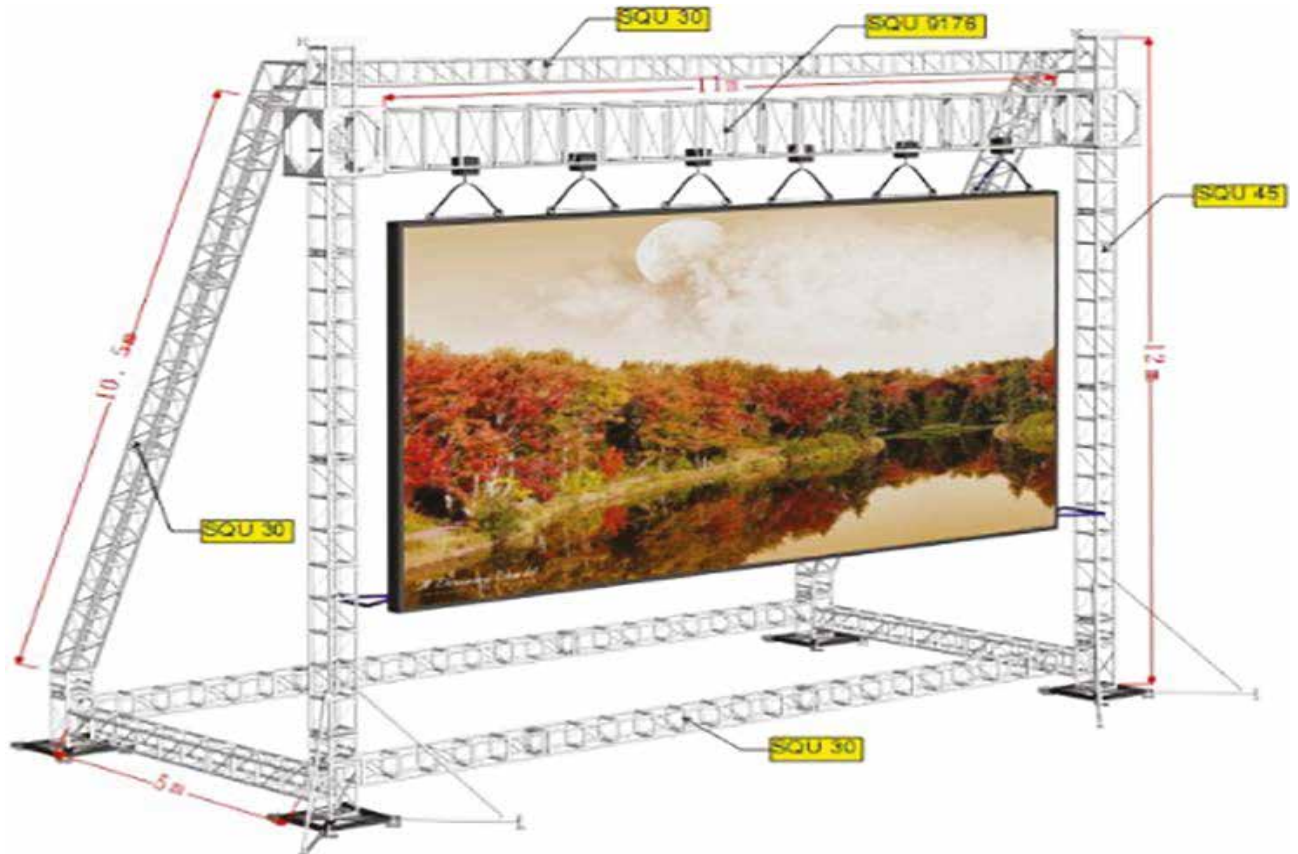
RESET BUTTON

Front Service

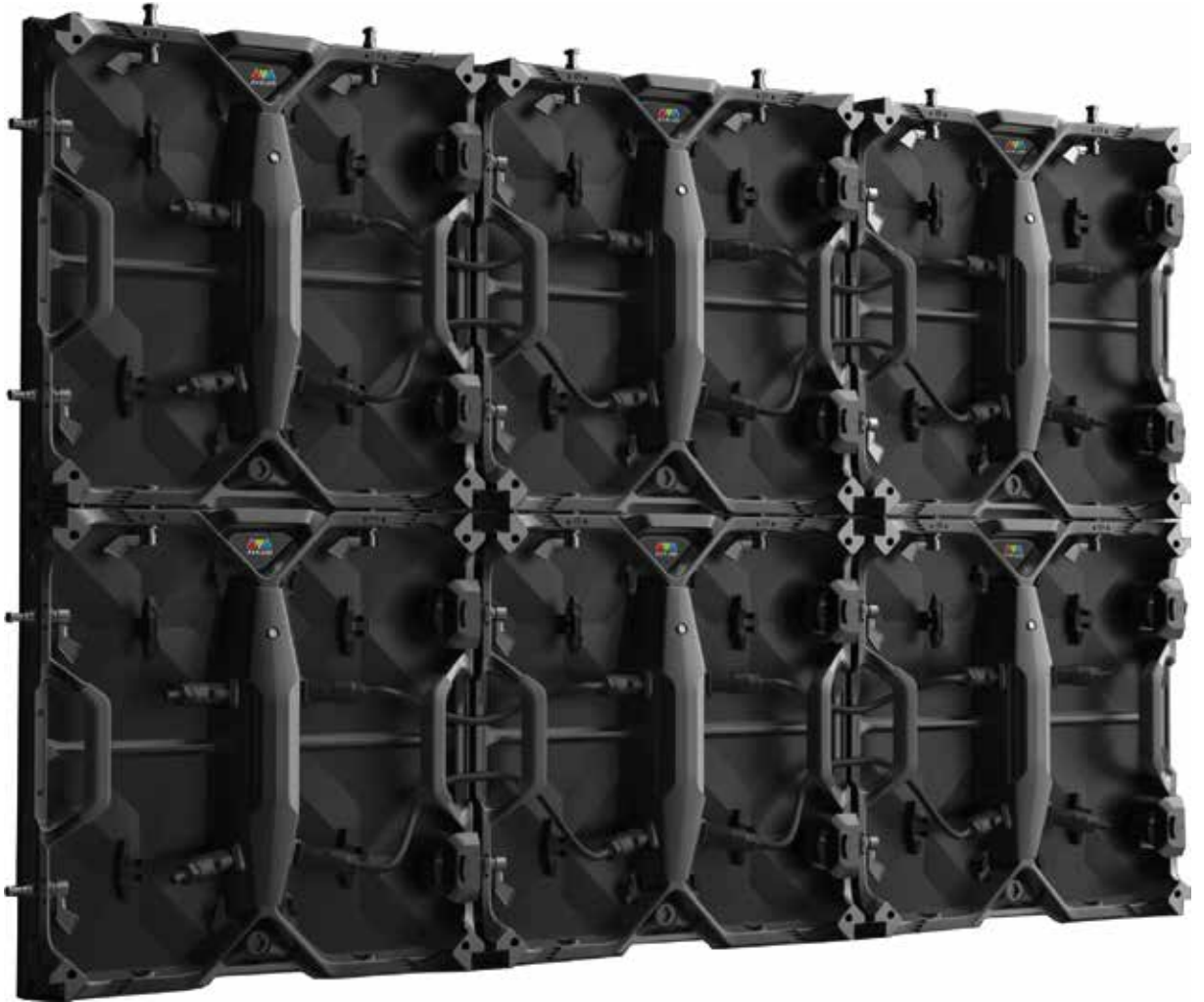


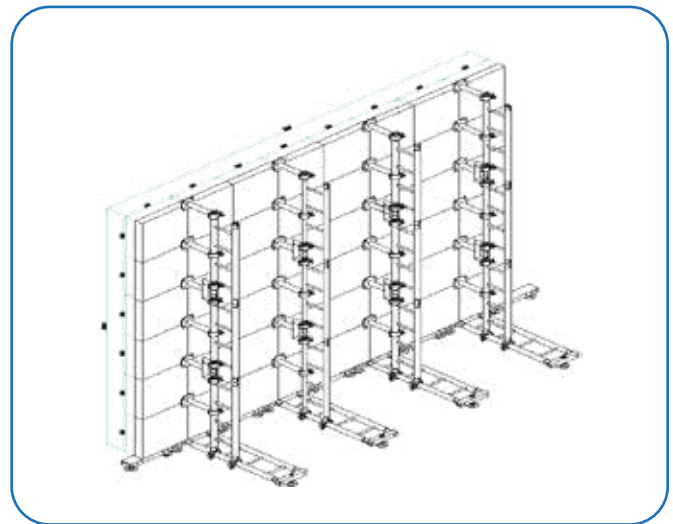
QUALITY IN DETAIL

SAFETY



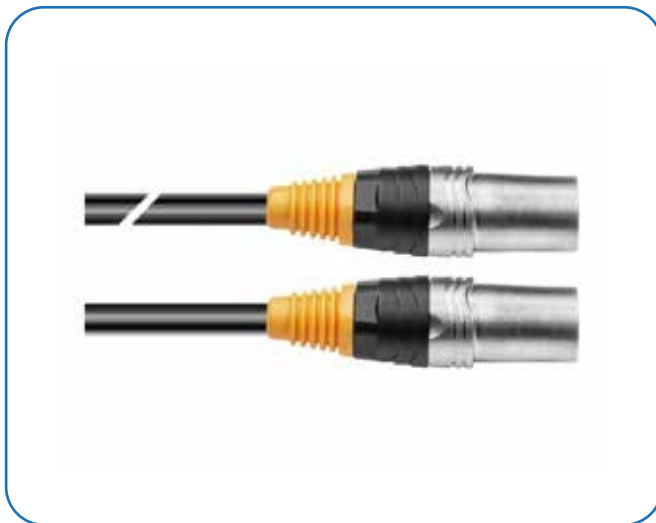
INSTALLATION





INSTALLATION

elite Series



ACCESSORIES



AVA LED

www.avaledscreen.com

info@avaledscreen.com

AVA GROUP GMBH

Adress: Seellbaschstrasse 5 , 66687 Wadern / Germany

Phone : +49 211 730 64 817

